



US006799873B2

(12) **United States Patent**  
**Fox**

(10) **Patent No.:** **US 6,799,873 B2**  
(45) **Date of Patent:** **Oct. 5, 2004**

(54) **MULTIFUNCTIONAL THIRD BRAKE LIGHT**

(76) **Inventor:** **Ronald M. Fox**, 605 Prairie La.,  
Altamonte Springs, FL (US) 32714

(\*) **Notice:** Subject to any disclaimer, the term of this  
patent is extended or adjusted under 35  
U.S.C. 154(b) by 0 days.

4,896,136 A *	1/1990	Hotovy .....	340/468
5,126,926 A *	6/1992	Chiang Wen .....	362/541
5,144,538 A *	9/1992	Harris .....	362/485
5,393,115 A *	2/1995	Hamilton .....	296/52
5,550,718 A	8/1996	Shy .....	362/80.1
5,648,756 A	7/1997	Zadok .....	340/468
6,260,990 B1	7/2001	Saunders .....	362/485

\* cited by examiner

(21) **Appl. No.:** **10/225,271**

(22) **Filed:** **Oct. 8, 2002**

(65) **Prior Publication Data**

US 2003/0039126 A1 Feb. 27, 2003

(51) **Int. Cl.<sup>7</sup>** ..... **F21W 101/14**

(52) **U.S. Cl.** ..... **362/485; 362/541**

(58) **Field of Search** ..... 362/485, 541,  
362/540, 543, 544

(56) **References Cited**

**U.S. PATENT DOCUMENTS**

4,839,629 A \* 6/1989 Brown ..... 340/468

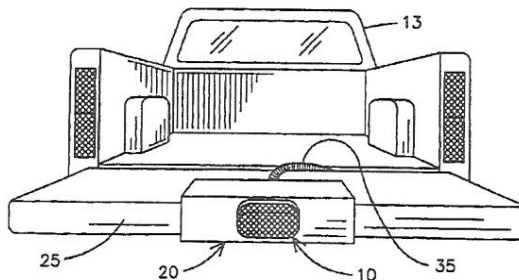
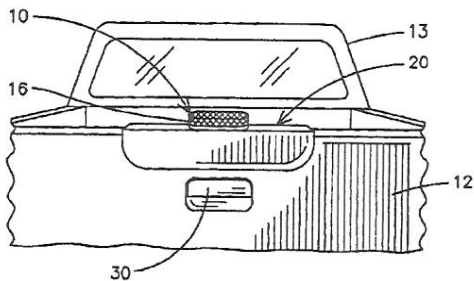
*Primary Examiner*—Laura K. Tso

(74) *Attorney, Agent, or Firm*—Terry M. Sanks, Esquire;  
Beusse Brownlee Wolter; Mora & Maire, P.A.

(57) **ABSTRACT**

A third brake light apparatus for a truck, the apparatus comprising an attachment comprising a front side, a top side and a back side wherein the attachment fits over an upper edge of a tailgate, a reflector cover comprising a top surface connected to the top side of the attachment, a light within the reflector cover, and a wire assembly connected to the light at a first end and comprising a connector at a second end for connecting the cord to a brake light system in the truck.

**17 Claims, 2 Drawing Sheets**



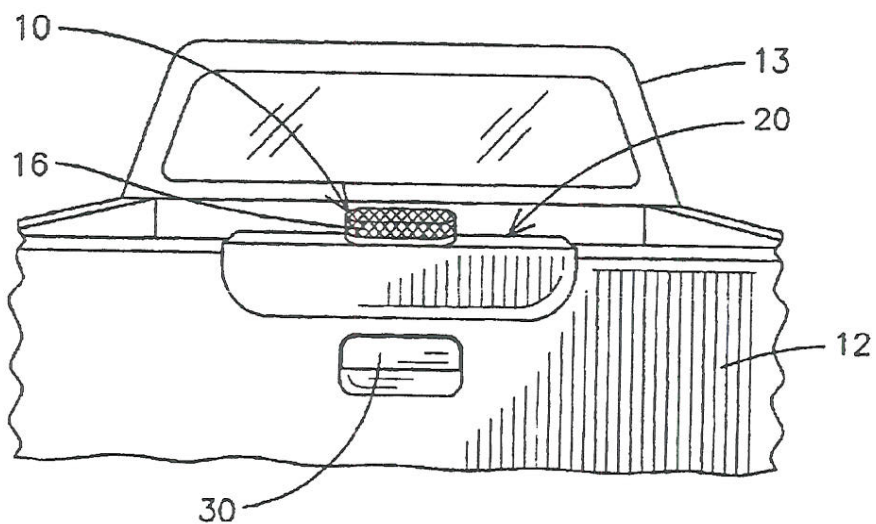


FIG. 1

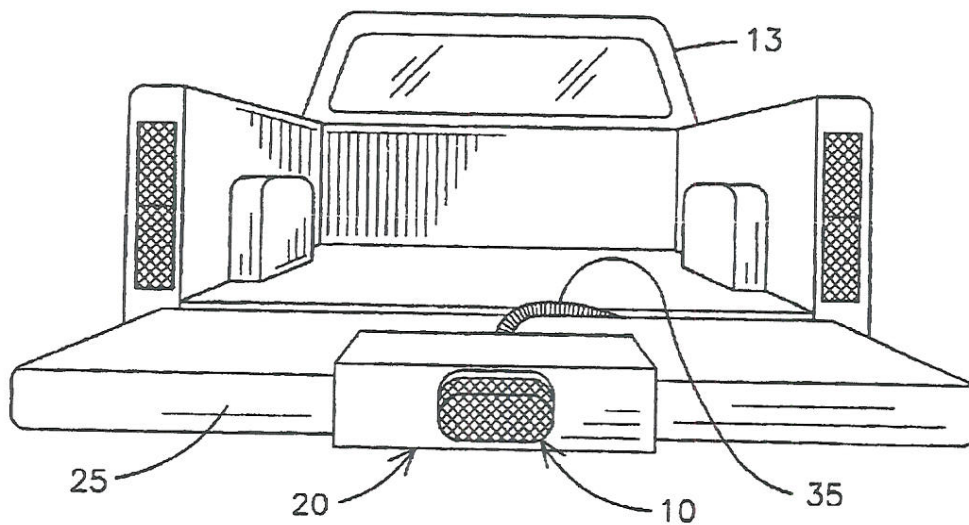


FIG. 2